

# SWARCO COMBIA – CIWAY

Traffic Signal

## THE TRAFFIC LIGHT OF TOMORROW



### THE SMART LED TRAFFIC SIGNAL

The LED traffic signal CIWAY is a variant of the COMBIA traffic light family, which is made of UV-stabilized polycarbonate and is available in individual color combinations. Faster maintenance due to the very wide opening angle, as well as reduced assembly time by simply and quickly opening the aspects, are just a few of the many product advantages of this signal head. Of course, CIWAY is also an intelligent traffic signal thanks to the additional smart functions and thus ready for the age of “smart mobility”.



**SafeLight**  
Ground projection for  
pedestrian safety



**Sound**  
Acoustic signal for  
pedestrian orientation



**AirDec**  
Measurement of air quality  
and environmental data

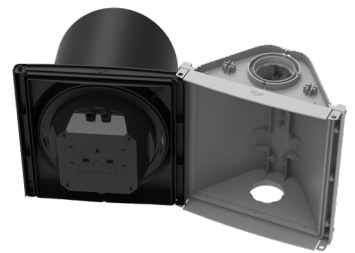


**LaneCom**  
Sensors for road user  
detection

# CIWAY

## KEY BENEFITS

- the smart features „Safelight, AirDec, LaneCom“ can be installed individually
- easily extendible and prepared for smart additional functions (CCAM)
- optional: integrated acoustic unit „Sound“ in half aspect
- faster maintenance: opening angle of the front doors to the left or right up to 175° at 200 mm and up to 150° at 300 mm
- reduced assembly time by simply and quickly opening the aspects
- simple type of clamping technology for LED cabling
- elastic, plug-in visors - optionally fixable with screws
- easy cable routing between the aspects
- mounting of backing boards is prepared
- additional installations can be integrated in the housing

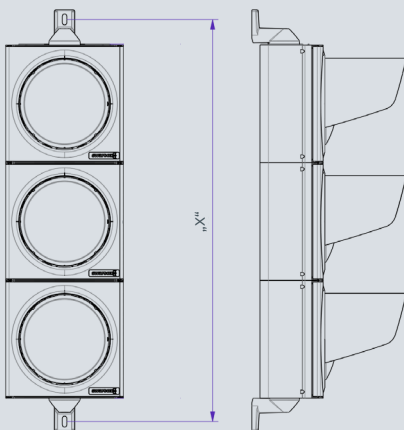


opening angle up to 175°

## TECHNICAL DETAILS

<b>Material</b>	UV-stabilized polycarbonate
<b>Diameters, Mounting</b>	200 / 300 mm   aspects: 1-5, vertical or horizontal
<b>Smart features</b>	integrated as 1/2 aspect version for 200 mm, on top and / or bottom
<b>LED-Optic</b>	200 / 300 mm LED modules FUTURLED optional: also possible in combination
<b>Two-point fixing</b>	<ul style="list-style-type: none"> <li>■ 70 mm for 1-3 aspects (polycarbonat) (optional: 168 mm polycarbonat and 105 / 183 / 240 mm aluminum)</li> <li>■ fixing for ironflats or on cantilever bracket</li> </ul>
<b>Backing boards</b>	fixing by means of domes on the back of the housing
<b>Housing colours</b>	RAL 6009 fir-green RAL 9005 black RAL 7001 silver-gray / front black RAL 9005 RAL 7032 light grey / front black RAL 9005 RAL 6009 fir-green / front black RAL 9005 RAL 2000 orange / front black RAL 9005
<b>Certificates</b>	EN12368, CE

## DIMENSIONS



### 200 mm

Height „X“	1K	2K	3K	4K
PC 70	397 +/- 13	677 +/- 12	957 +/- 11	----
PC 70 (with double-sided ring gear)	407 +/- 13	687 +/- 11	967 +/- 11	----
PC 175	413 +/- 7	693 +/- 6	973 +/- 6	----
Alu 105 / 183 / 240	404 +/- 16	684 +/- 15	964 +/- 15	1244 +/- 15

### 300 mm

Height „X“	1K	2K	3K	4K
PC 70	487 +/- 13	857 +/- 12	1227 +/- 11	----
PC 175	503 +/- 6	873 +/- 5	1243 +/- 5	----
Alu 105 / 183 / 240	494 +/- 16	846 +/- 15	1243 +/- 15	1604 +/- 15

All figures in mm