

# SWARCO COMBIA – CIFLOW

Traffic Signal

## THE TRAFFIC LIGHT OF TOMORROW



### THE SMART LED TRAFFIC SIGNAL

The LED traffic signal CIFLOW is a variant of the COMBIA traffic light family, which is made of UV-stabilized polycarbonate in combination with a powder coated aluminum cover. This gives the signal head not only visually appealing appearance, but also ensures stability and mechanical strength. The CIFLOW fits perfectly into any cityscape due to individual colour combinations in terms of housing, cover and rear design profile. The CIFLOW can thus be mounted either by means of modern one-point or classic two-point fixing. Furthermore this traffic signal can be equipped with individual smart functions and is therefore ready for the age of „smart mobility“.



**SafeLight**  
Ground projection for  
pedestrian safety



**Sound**  
Acoustic signal for  
pedestrian orientation



**AirDec**  
Measurement of air quality  
and environmental data

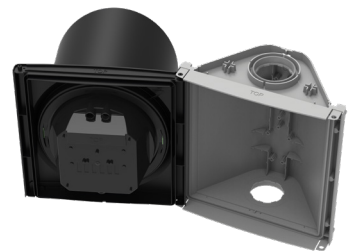


**LaneCom**  
Sensors for road user  
detection

# CIFLOW

## KEY BENEFITS

- the smart features „SafeLight, AirDec, LaneCom“ can be installed individually
- easily extendible and prepared for smart additional functions (CCAM)
- optional: integrated acoustic unit „Sound“ in half aspect
- faster maintenance: opening angle of the front doors to the left or right up to 175° at 200 mm and up to 150° at 300 mm
- reduced assembly time by simply and quickly opening the aspects
- Individual color combinations – housing, cover, rear design profil
- simple type of clamping technology for LED cabling
- elastic, plug-in visors - optionally fixable with screws
- easy cable routing between the aspects
- modern one-point or classic two-point fixing
- mounting of backing boards is prepared
- additional installations can be integrated in the housing

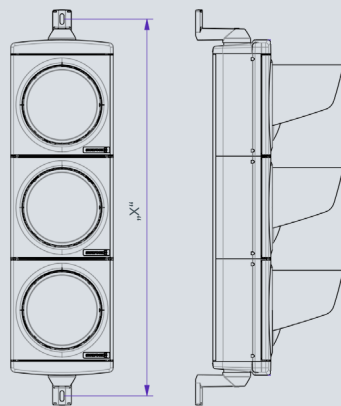


opening angle up to 175°

## TECHNICAL DETAILS

<b>Material</b>	UV-stabilized polycarbonate, powder coated aluminum cover
<b>Diameters, Mounting</b>	200 / 300 mm   aspects: 1-5, vertical or horizontal
<b>Smart features</b>	integrated as 1/2 aspect version for 200 mm, on top and / or bottom
<b>LED-Optic</b>	200 / 300 mm LED modules FUTURLED
<b>Two-point fixing</b>	<ul style="list-style-type: none"> <li>■ 105 mm brackets (Aluminium) (optional: 183 / 240 mm)</li> <li>■ fixing for ironflats or on cantilever bracket</li> <li>■ M12 / M20 mounting</li> </ul>
<b>One-point fixing</b>	<ul style="list-style-type: none"> <li>■ on top of a pole 42,5 / 64 / 76 mm</li> <li>■ DSI bracket</li> </ul>
<b>Backing boards</b>	fixing by means of domes on the back of the housing
<b>Housing colours</b>	RAL 6009 fir-green RAL 9005 black RAL 7001 silver-gray / front black RAL 9005 RAL 7032 light grey / front black RAL 9005 RAL 6009 fir-green / front black RAL 9005 RAL 2000 orange / front black RAL 9005
<b>Certificates</b>	EN12368, CE

## DIMENSIONS



Two-point fixing

### 200 mm

Height „X“	1K	2K	3K	4K	5K
Alu 105 / 183 / 240	469 +/-	749 +/- 14	1029 +/- 13	1309 +/- 12	2034 +/- 9

### 300 mm

Height „X“	1K	2K	3K	4K	5K
Alu 105 / 183 / 240	554 +/- 15	924 +/- 14	1294 +/- 13	1664 +/- 12	2034 +/- 9

All figures in mm